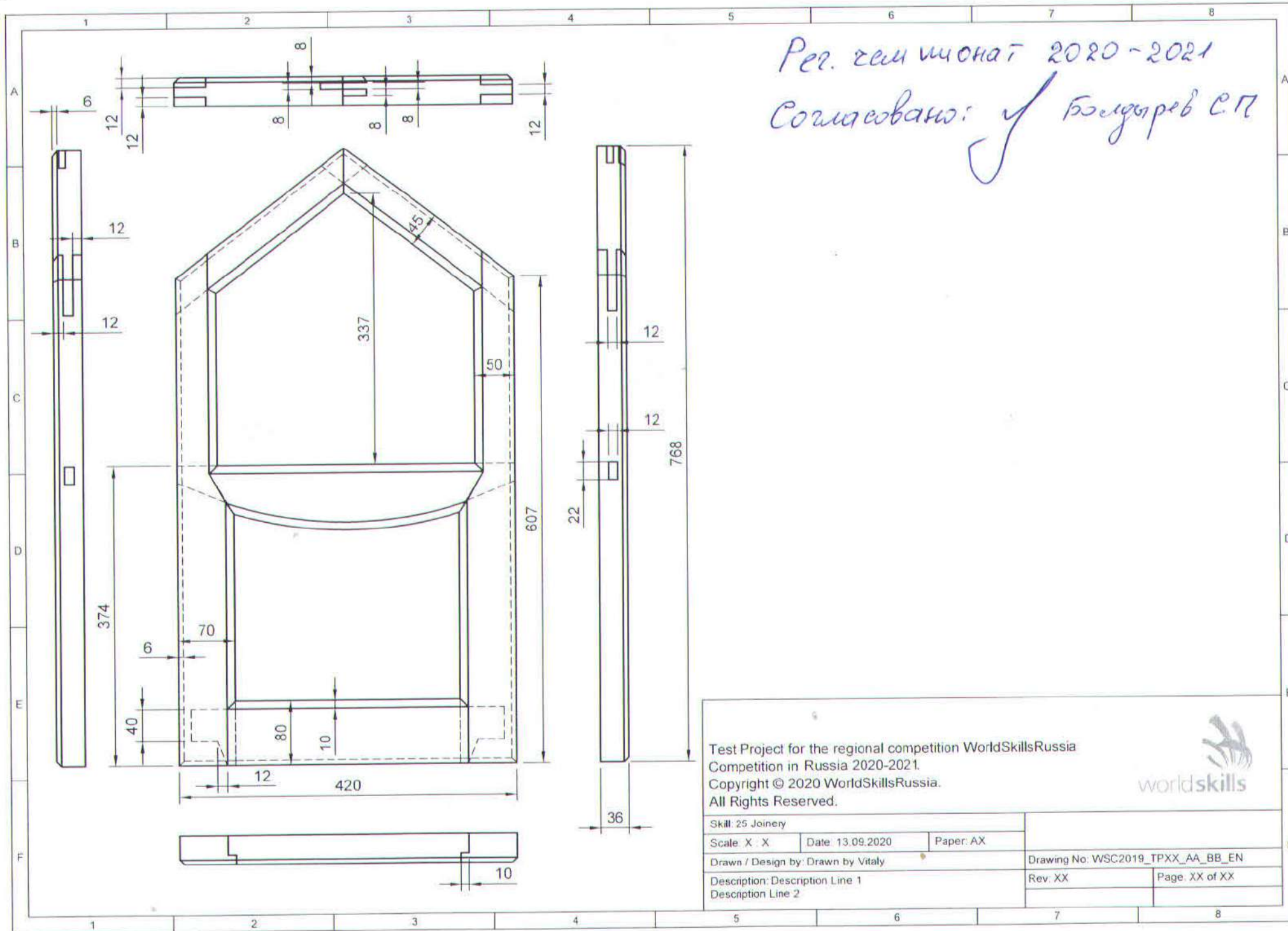



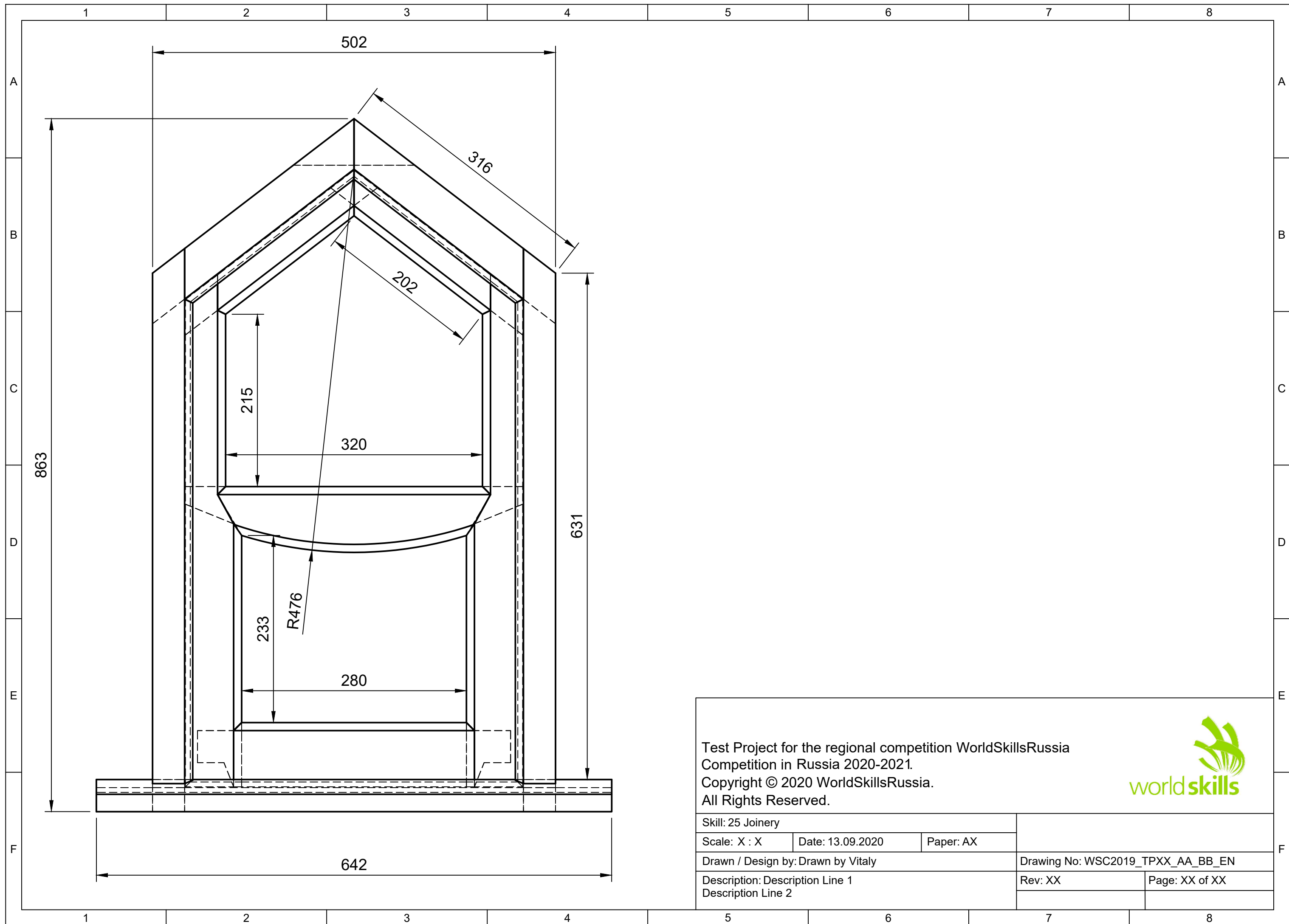
Рег. чемпионат 2020-2021  
 Создатель: *Болдырев С.П.*



Test Project for the regional competition WorldSkillsRussia  
 Competition in Russia 2020-2021.  
 Copyright © 2020 WorldSkillsRussia.  
 All Rights Reserved.



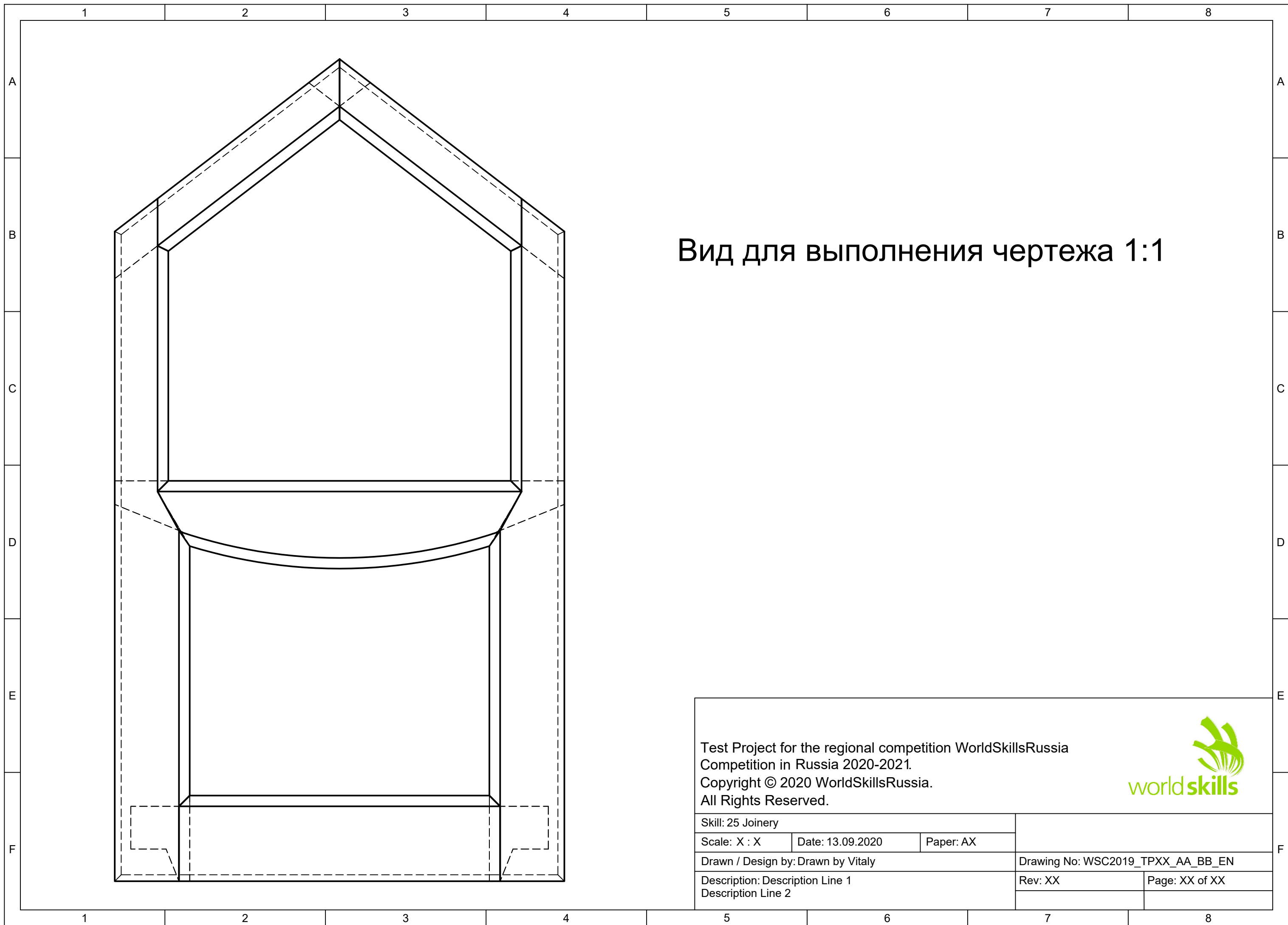
Skill: 25 Joinery				
Scale: X : X	Date: 13.09.2020	Paper: AX		
Drawn / Design by: Drawn by Vitaly			Drawing No: WSC2019_TPXX_AA_BB_EN	
Description: Description Line 1			Rev: XX	Page: XX of XX
Description Line 2				



Test Project for the regional competition WorldSkillsRussia  
 Competition in Russia 2020-2021.  
 Copyright © 2020 WorldSkillsRussia.  
 All Rights Reserved.



Skill: 25 Joinery			Drawing No: WSC2019_TPXX_AA_BB_EN	
Scale: X : X	Date: 13.09.2020	Paper: AX		
Drawn / Design by: Drawn by Vitaly			Rev: XX	Page: XX of XX
Description: Description Line 1 Description Line 2				



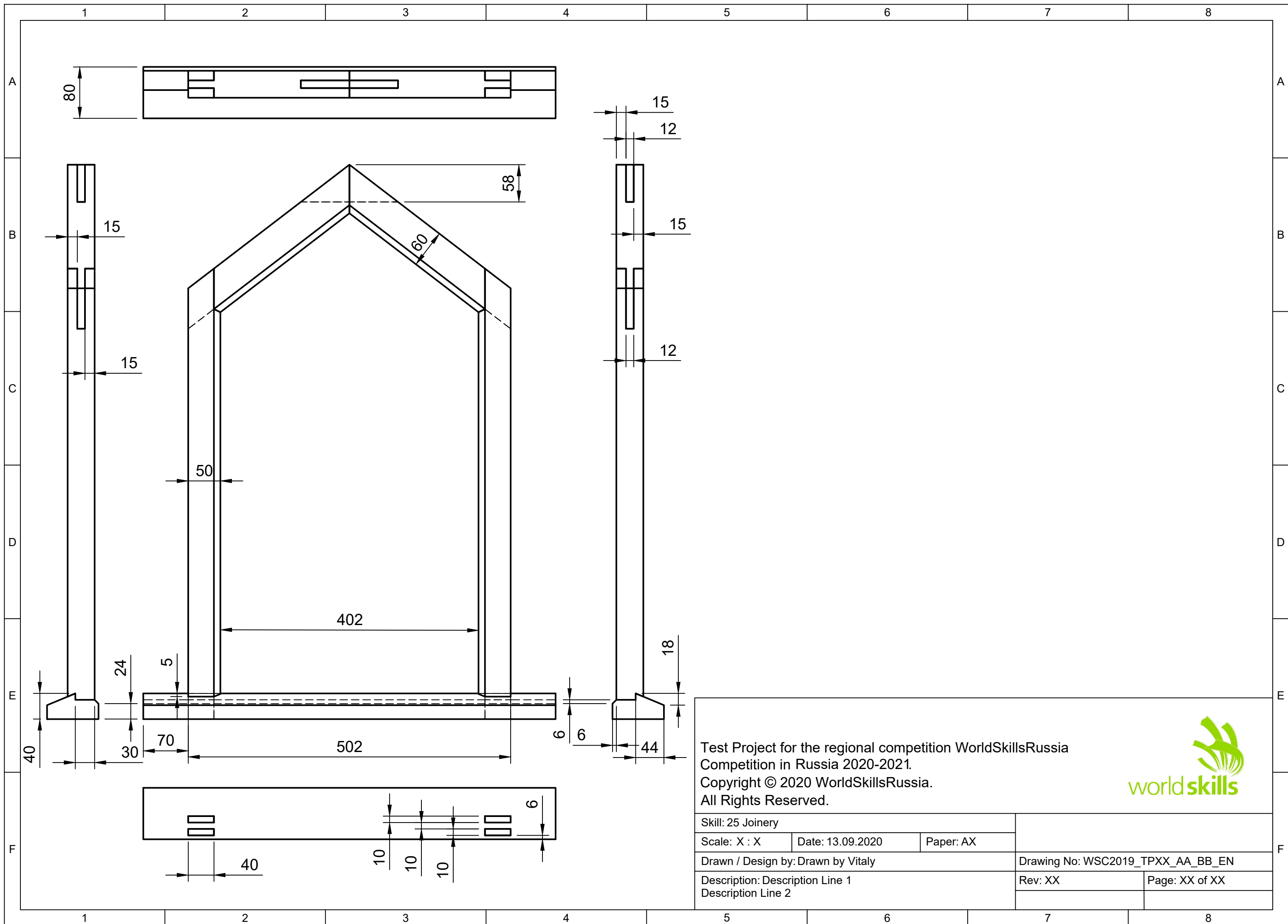
## Вид для выполнения чертежа 1:1

Test Project for the regional competition WorldSkillsRussia  
Competition in Russia 2020-2021.  
Copyright © 2020 WorldSkillsRussia.  
All Rights Reserved.



Skill: 25 Joinery					
Scale: X : X	Date: 13.09.2020	Paper: AX			
Drawn / Design by: Drawn by Vitaly			Drawing No: WSC2019_TPXX_AA_BB_EN		
Description: Description Line 1 Description Line 2			Rev: XX	Page: XX of XX	

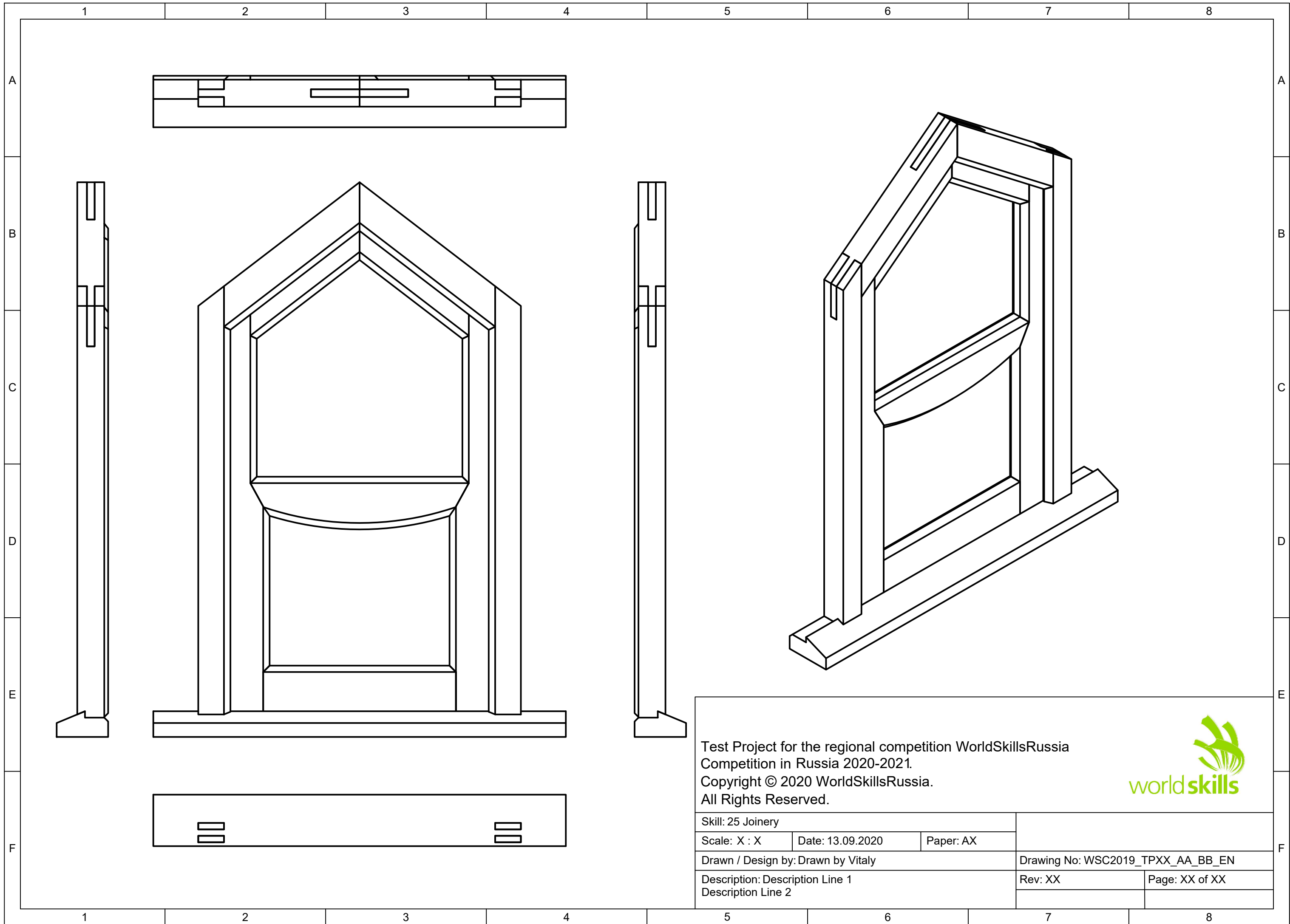




Test Project for the regional competition WorldSkillsRussia  
 Competition in Russia 2020-2021.  
 Copyright © 2020 WorldSkillsRussia.  
 All Rights Reserved.



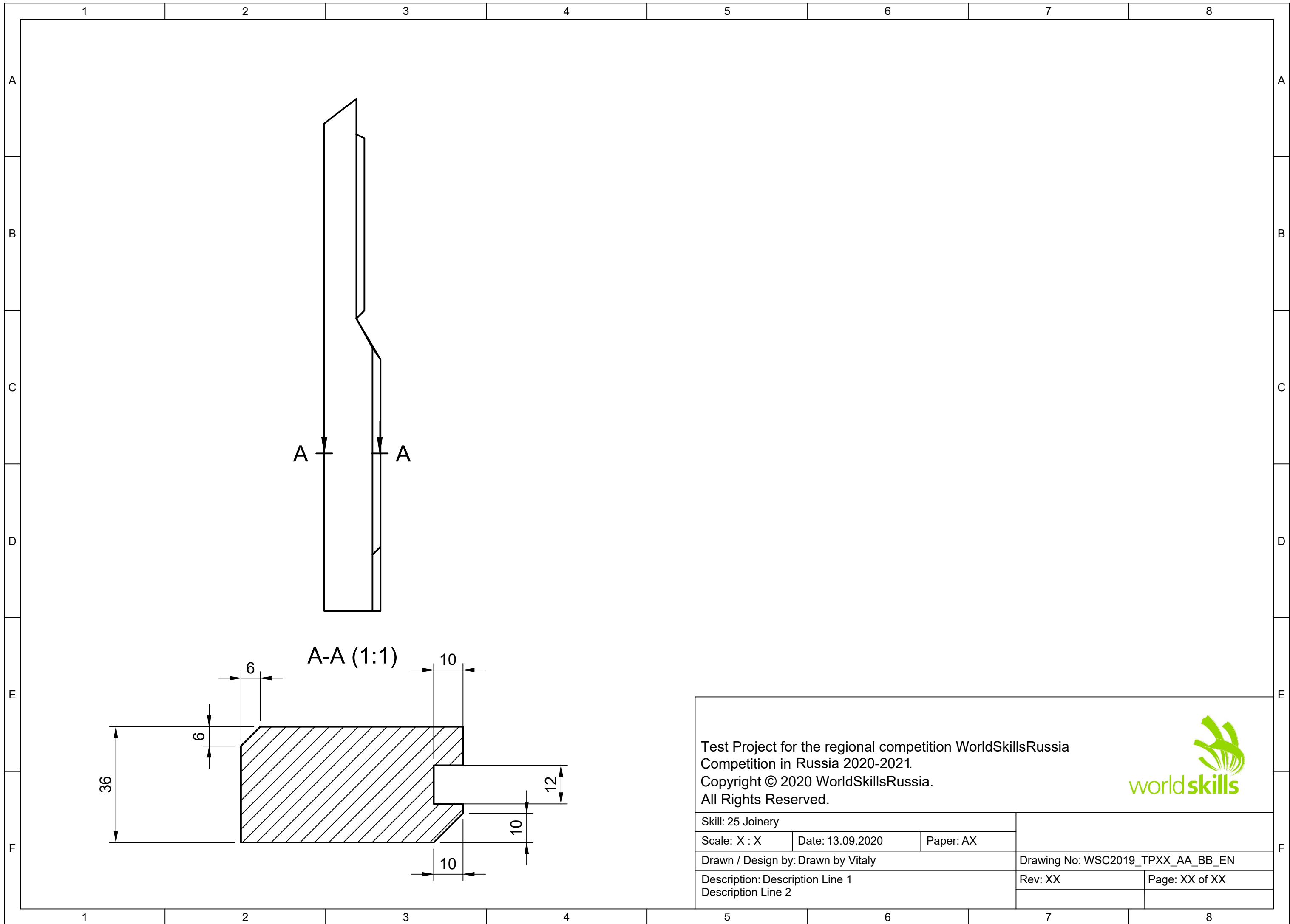
Skill: 25 Joinery					
Scale: X : X	Date: 13.09.2020	Paper: AX			
Drawn / Design by: Drawn by Vitaly			Drawing No: WSC2019_TPXX_AA_BB_EN		
Description: Description Line 1			Rev: XX		Page: XX of XX
Description Line 2					



Test Project for the regional competition WorldSkillsRussia  
 Competition in Russia 2020-2021.  
 Copyright © 2020 WorldSkillsRussia.  
 All Rights Reserved.



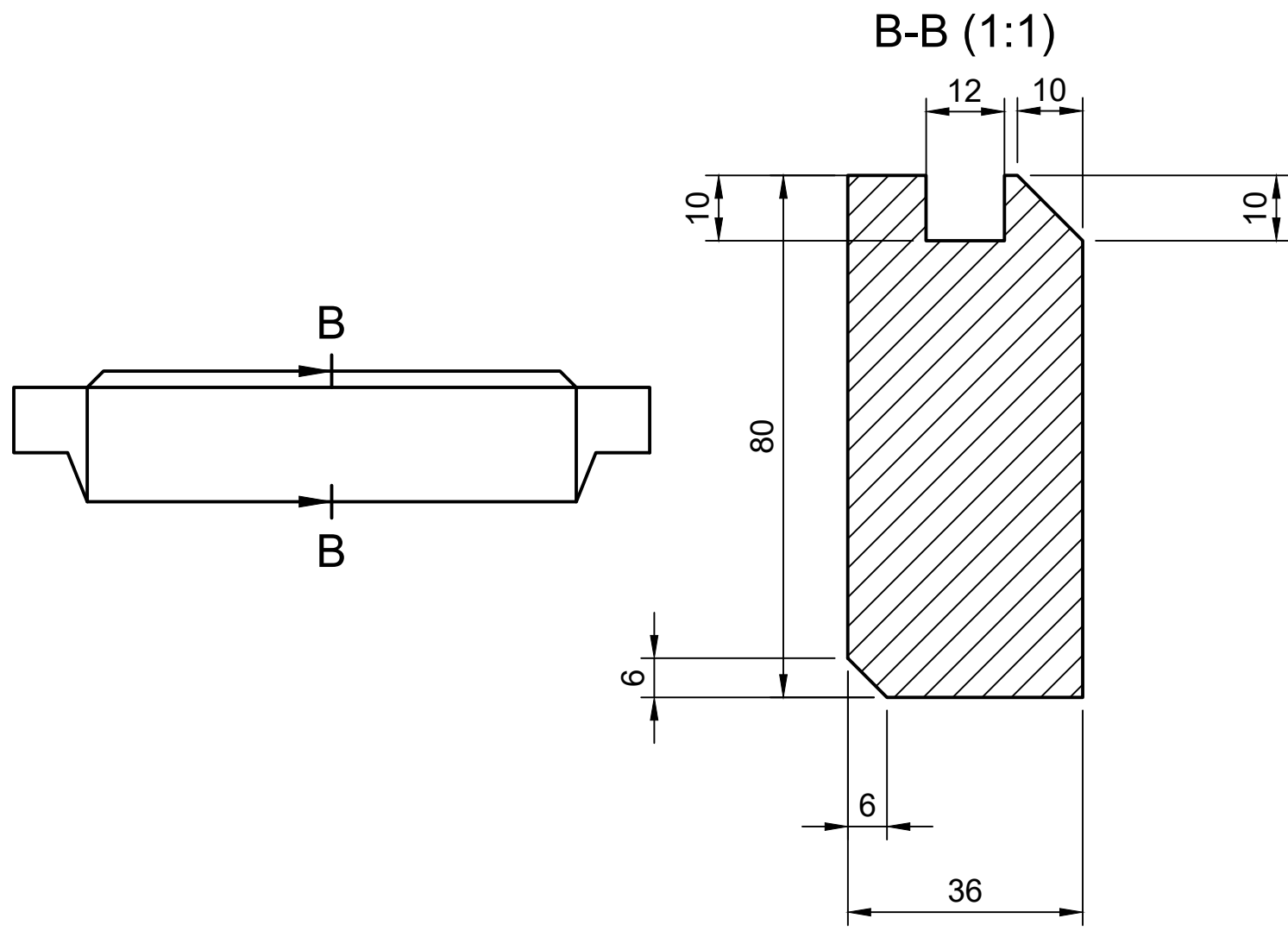
Skill: 25 Joinery				
Scale: X : X	Date: 13.09.2020	Paper: AX		
Drawn / Design by: Drawn by Vitaly			Drawing No: WSC2019_TPXX_AA_BB_EN	
Description: Description Line 1 Description Line 2			Rev: XX	Page: XX of XX



Test Project for the regional competition WorldSkillsRussia  
 Competition in Russia 2020-2021.  
 Copyright © 2020 WorldSkillsRussia.  
 All Rights Reserved.



Skill: 25 Joinery			Drawing No: WSC2019_TPXX_AA_BB_EN		
Scale: X : X	Date: 13.09.2020	Paper: AX			
Drawn / Design by: Drawn by Vitaly			Rev: XX		
Description: Description Line 1 Description Line 2			Page: XX of XX		

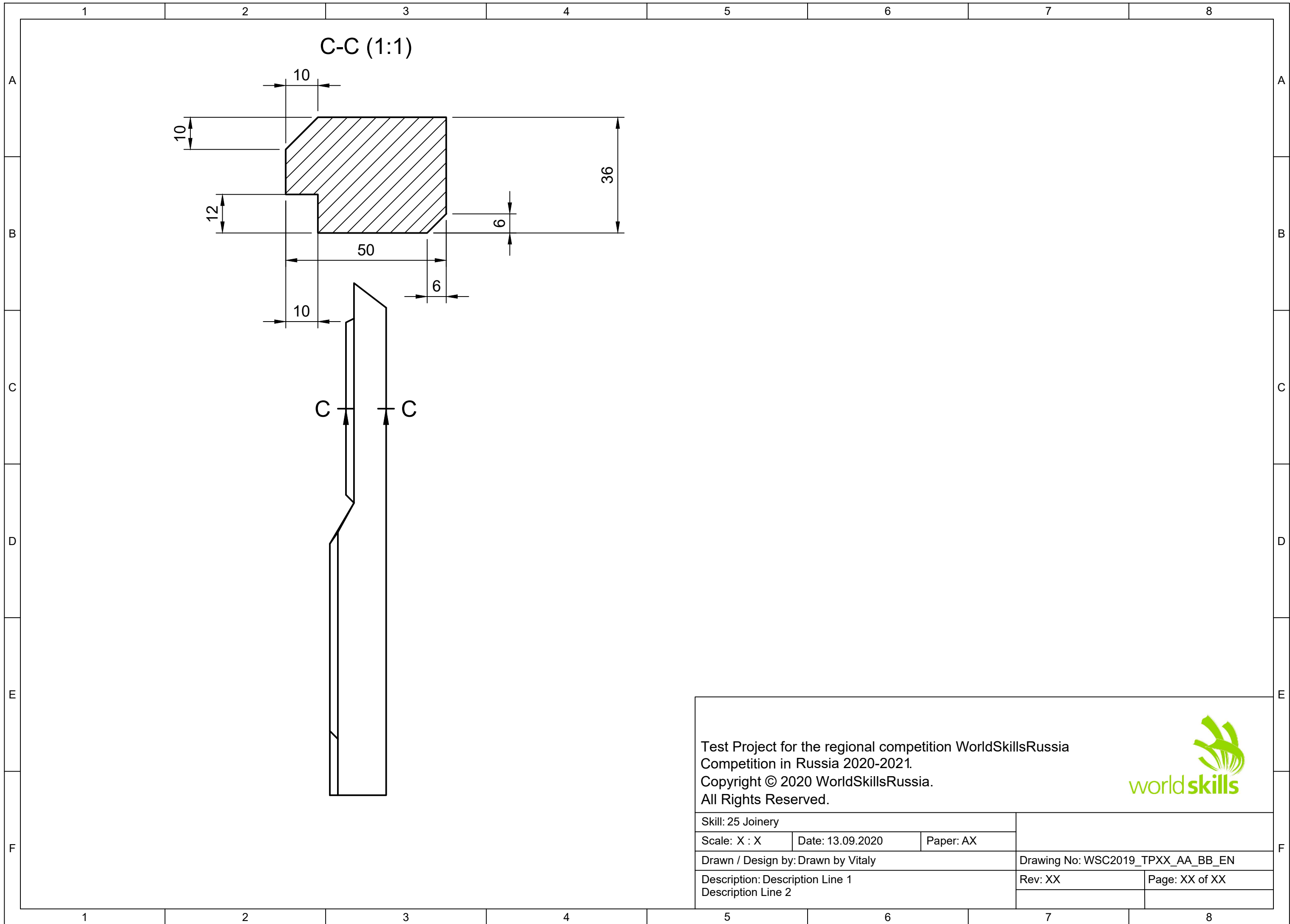


Test Project for the regional competition WorldSkillsRussia  
 Competition in Russia 2020-2021.  
 Copyright © 2020 WorldSkillsRussia.  
 All Rights Reserved.



Skill: 25 Joinery			Drawing No: WSC2019_TPXX_AA_BB_EN	
Scale: X : X	Date: 13.09.2020	Paper: AX		
Drawn / Design by: Drawn by Vitaly			Rev: XX	Page: XX of XX
Description: Description Line 1 Description Line 2				

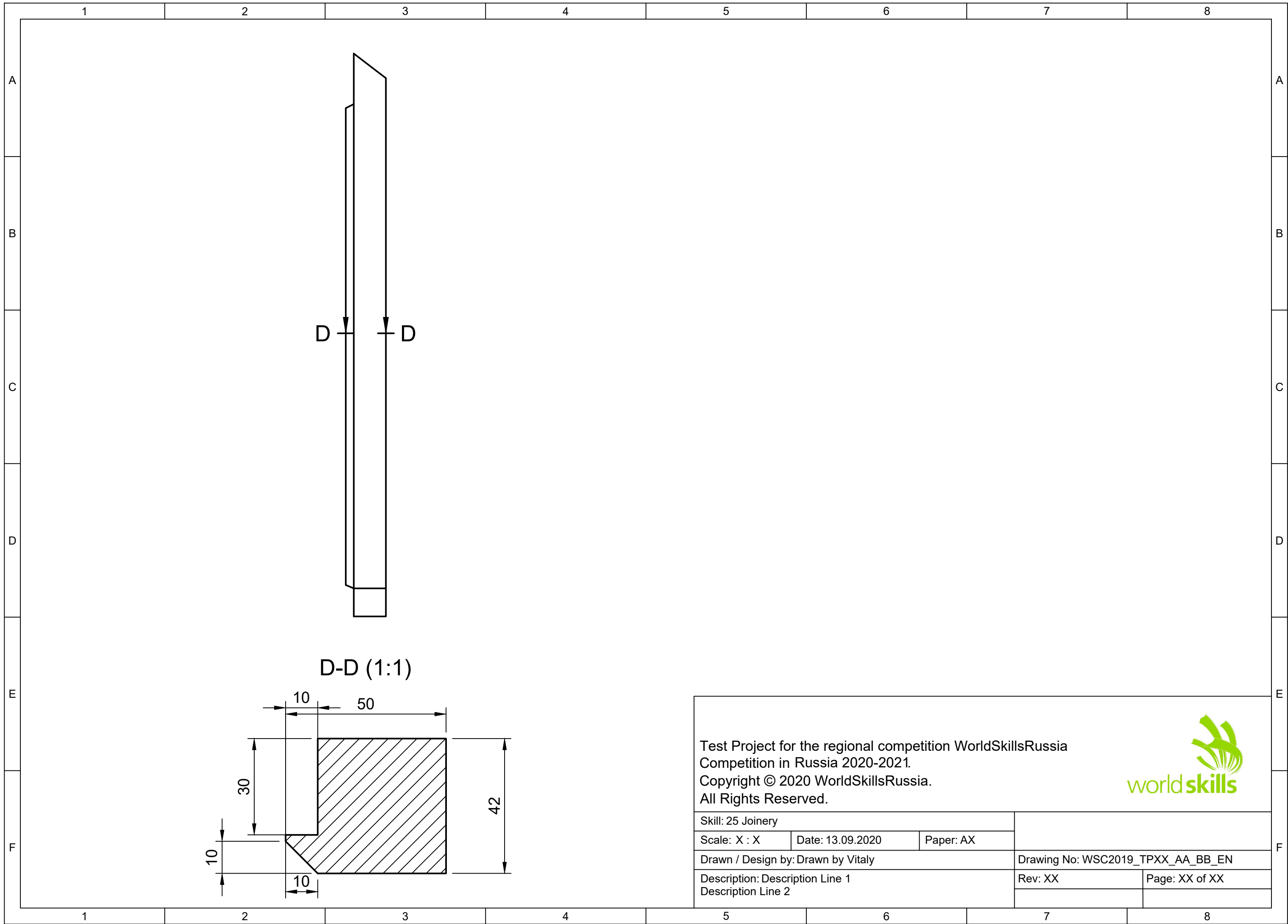





Test Project for the regional competition WorldSkillsRussia  
 Competition in Russia 2020-2021.  
 Copyright © 2020 WorldSkillsRussia.  
 All Rights Reserved.



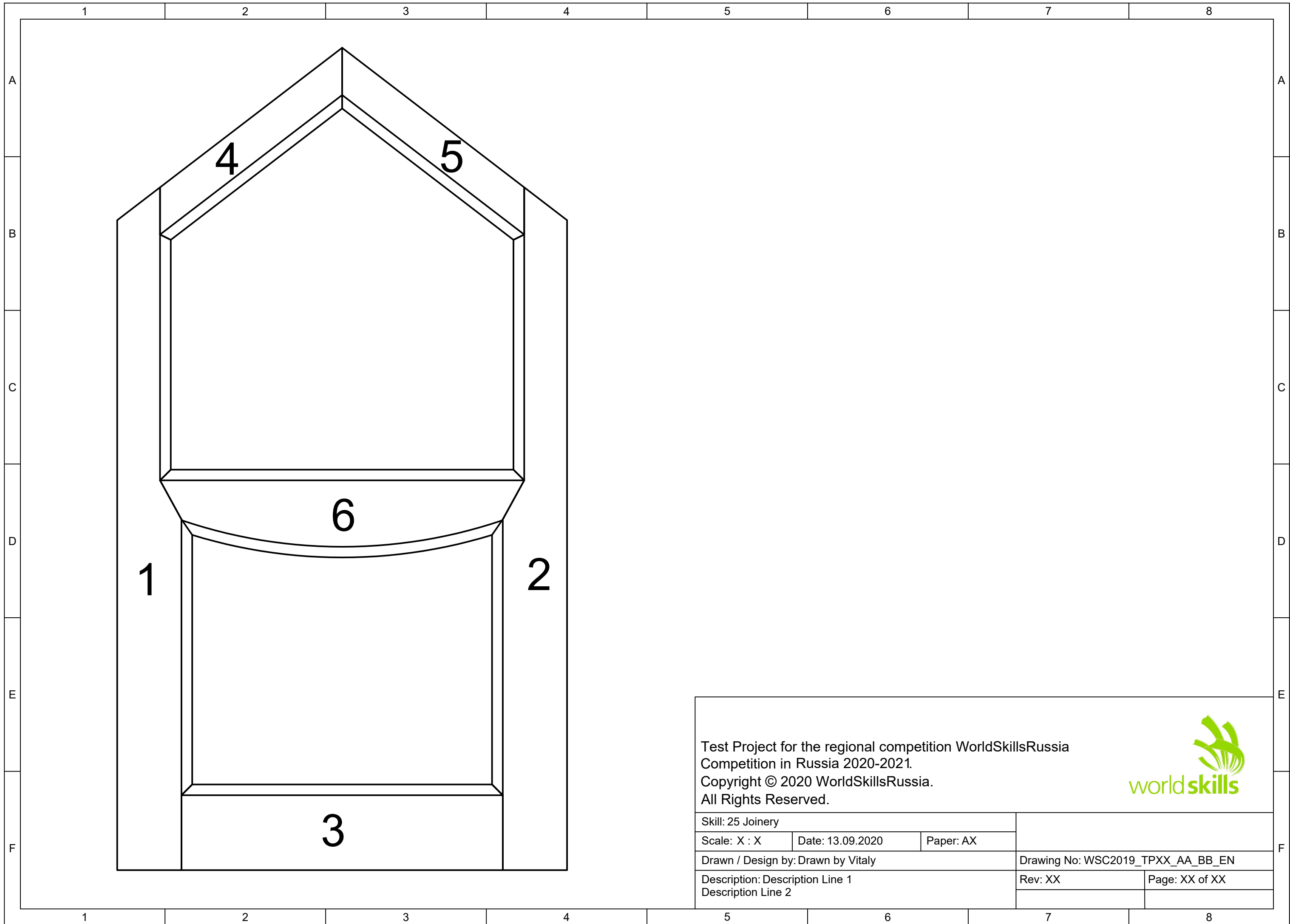
Skill: 25 Joinery			Drawing No: WSC2019_TPXX_AA_BB_EN	
Scale: X : X	Date: 13.09.2020	Paper: AX		
Drawn / Design by: Drawn by Vitaly			Rev: XX	Page: XX of XX
Description: Description Line 1 Description Line 2				



Test Project for the regional competition WorldSkillsRussia  
 Competition in Russia 2020-2021.  
 Copyright © 2020 WorldSkillsRussia.  
 All Rights Reserved.



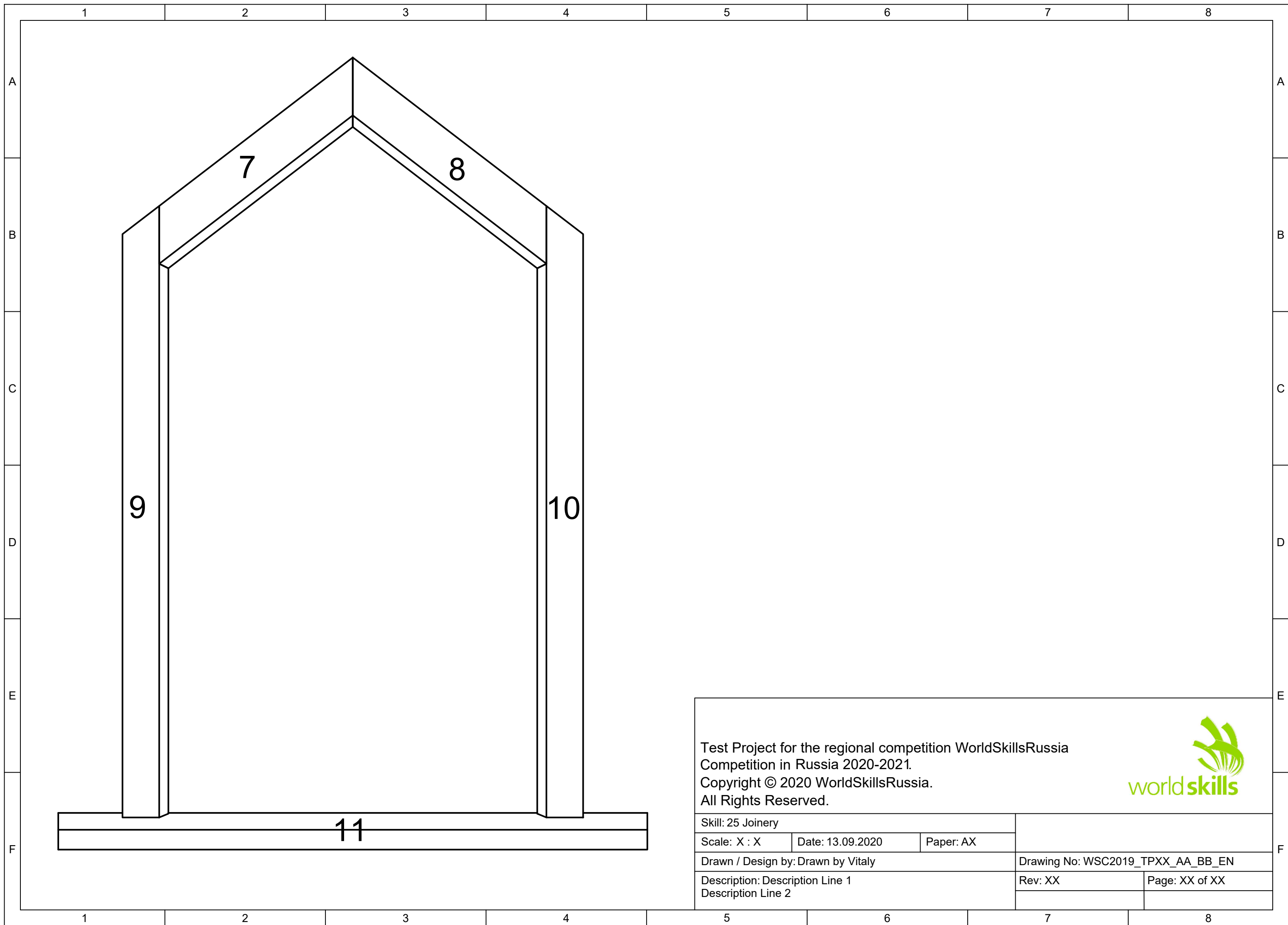
Skill: 25 Joinery			Drawing No: WSC2019_TPXX_AA_BB_EN	
Scale: X : X	Date: 13.09.2020	Paper: AX		
Drawn / Design by: Drawn by Vitaly			Rev: XX	Page: XX of XX
Description: Description Line 1 Description Line 2				



Test Project for the regional competition WorldSkillsRussia  
 Competition in Russia 2020-2021.  
 Copyright © 2020 WorldSkillsRussia.  
 All Rights Reserved.



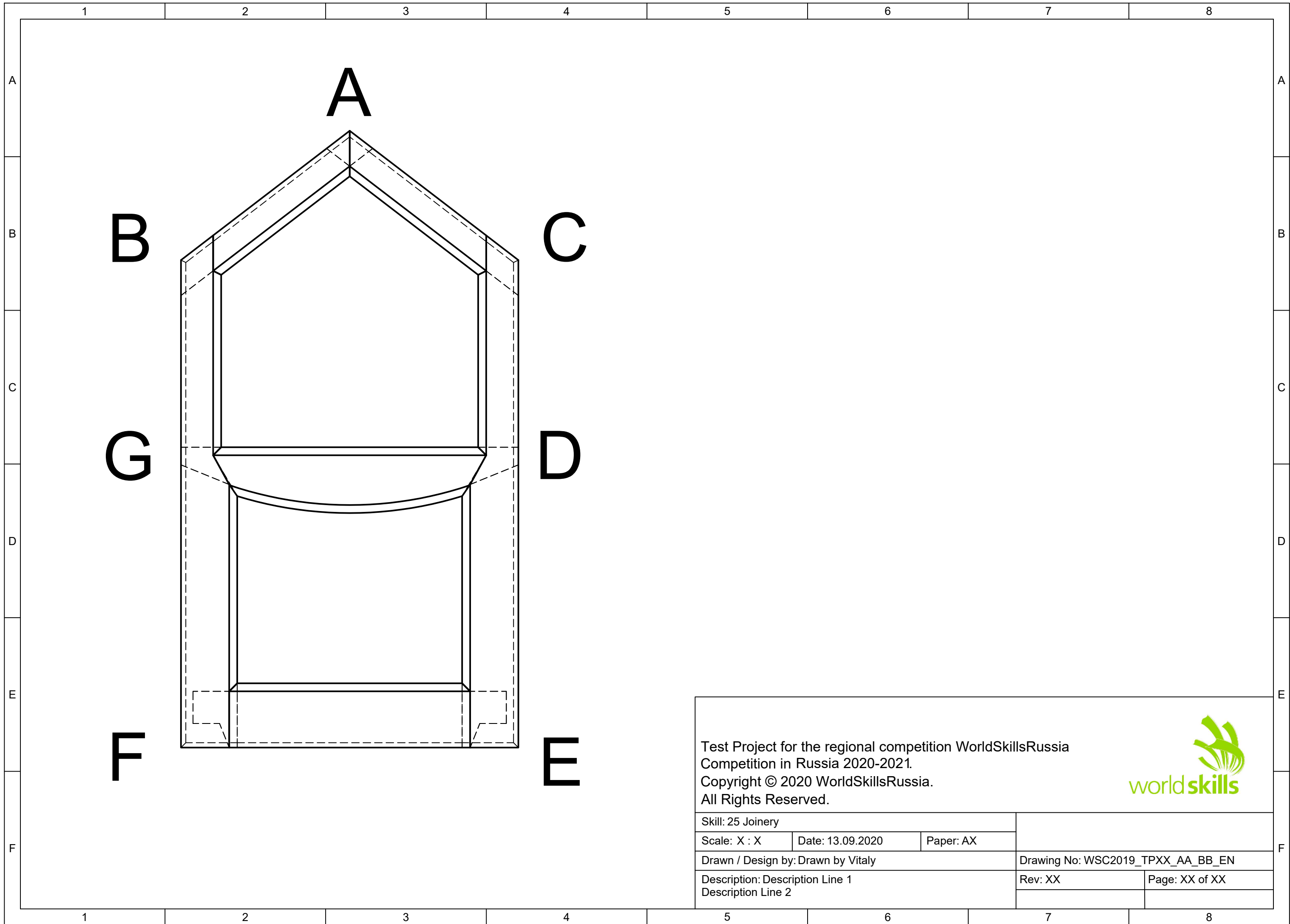
Skill: 25 Joinery			Drawing No: WSC2019_TPXX_AA_BB_EN	
Scale: X : X	Date: 13.09.2020	Paper: AX		
Drawn / Design by: Drawn by Vitaly			Rev: XX	Page: XX of XX
Description: Description Line 1 Description Line 2				



Test Project for the regional competition WorldSkillsRussia  
 Competition in Russia 2020-2021.  
 Copyright © 2020 WorldSkillsRussia.  
 All Rights Reserved.



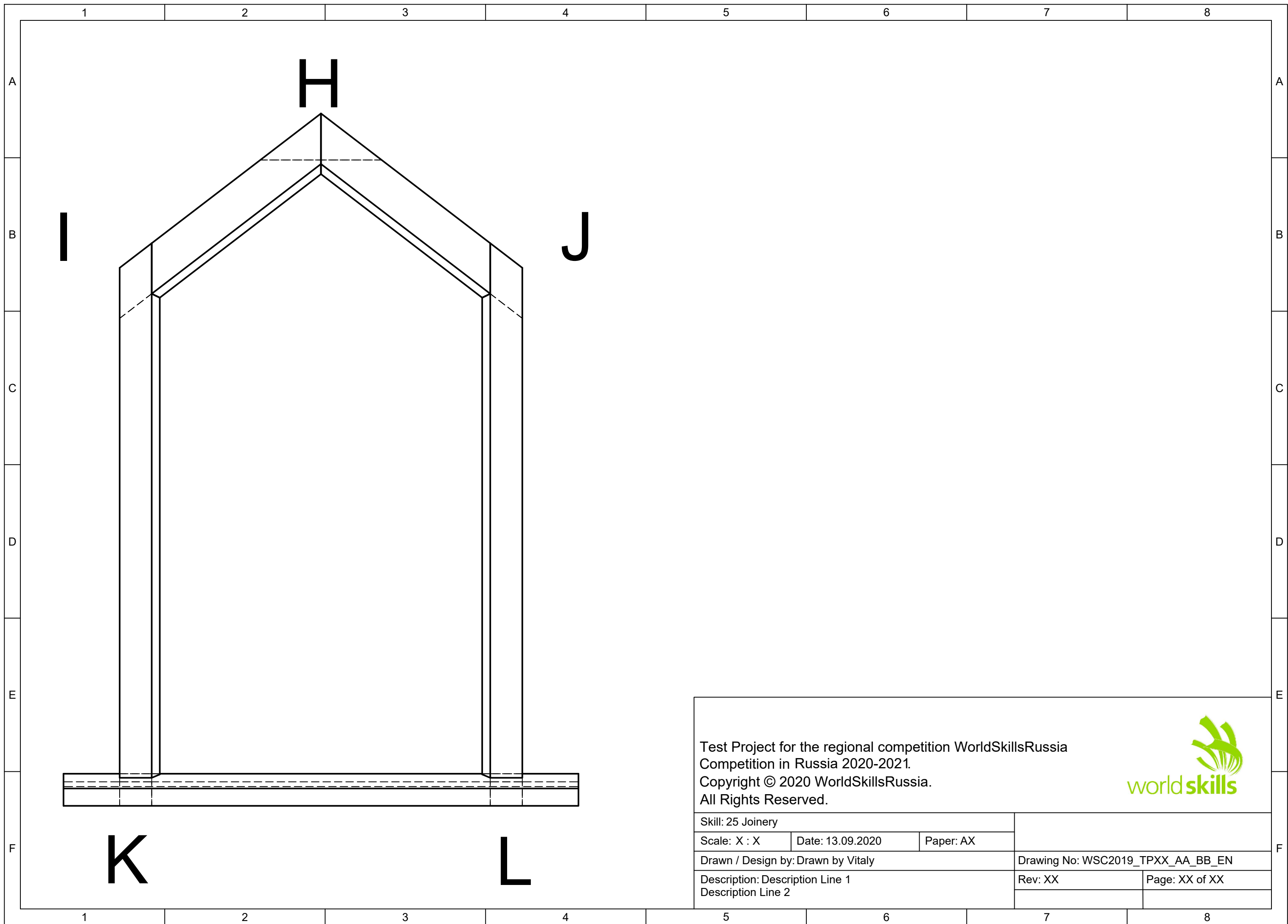
Skill: 25 Joinery				
Scale: X : X	Date: 13.09.2020	Paper: AX		
Drawn / Design by: Drawn by Vitaly			Drawing No: WSC2019_TPXX_AA_BB_EN	
Description: Description Line 1 Description Line 2			Rev: XX	Page: XX of XX



Test Project for the regional competition WorldSkillsRussia  
 Competition in Russia 2020-2021.  
 Copyright © 2020 WorldSkillsRussia.  
 All Rights Reserved.



Skill: 25 Joinery			Drawing No: WSC2019_TPXX_AA_BB_EN		
Scale: X : X	Date: 13.09.2020	Paper: AX			
Drawn / Design by: Drawn by Vitaly			Rev: XX		
Description: Description Line 1 Description Line 2			Page: XX of XX		



Test Project for the regional competition WorldSkillsRussia  
 Competition in Russia 2020-2021.  
 Copyright © 2020 WorldSkillsRussia.  
 All Rights Reserved.



Skill: 25 Joinery			Drawing No: WSC2019_TPXX_AA_BB_EN	
Scale: X : X	Date: 13.09.2020	Paper: AX		
Drawn / Design by: Drawn by Vitaly			Rev: XX	Page: XX of XX
Description: Description Line 1 Description Line 2				